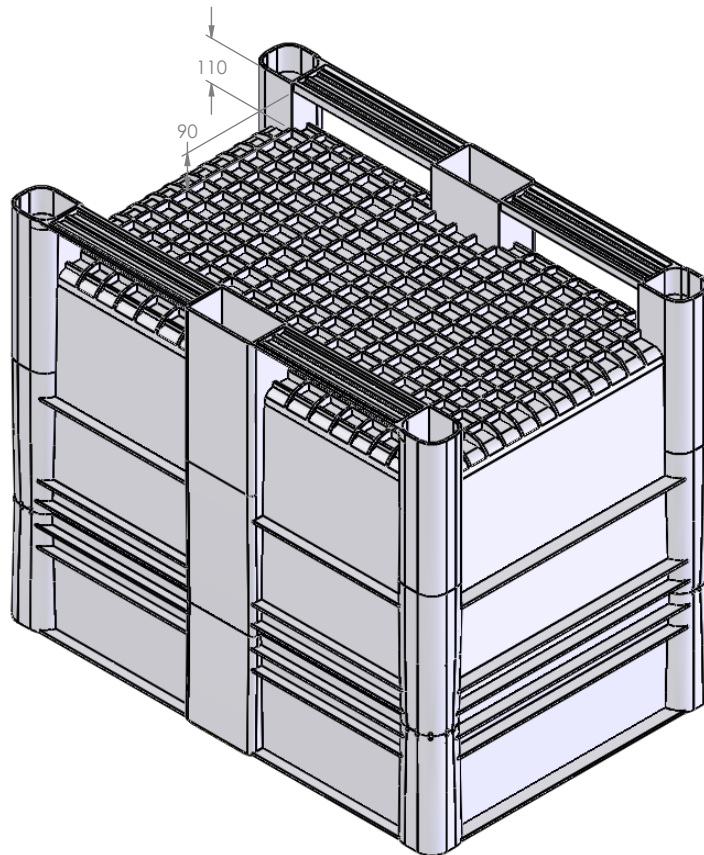


* Please note since April 1st there is a change in dimension



Dimension Tolerance $\pm 1\%$

BOX-PALLET TYPE :

800 SH-1000

CATALOG NO: 1001700000



PLASTIC PRODUCTS

DOLAV PLASTIC PRODUCTS Cooperative Society Ltd

Kibbutz Dvir, M.P. HaNegev, 85330, Israel

Tel: +972-8-9111700 Fax: +972-8-9915710

<http://www.dolav.com>